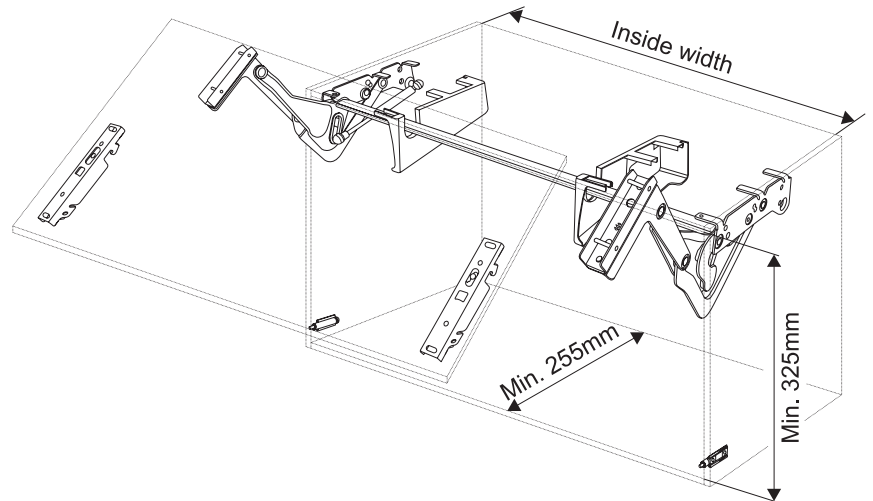


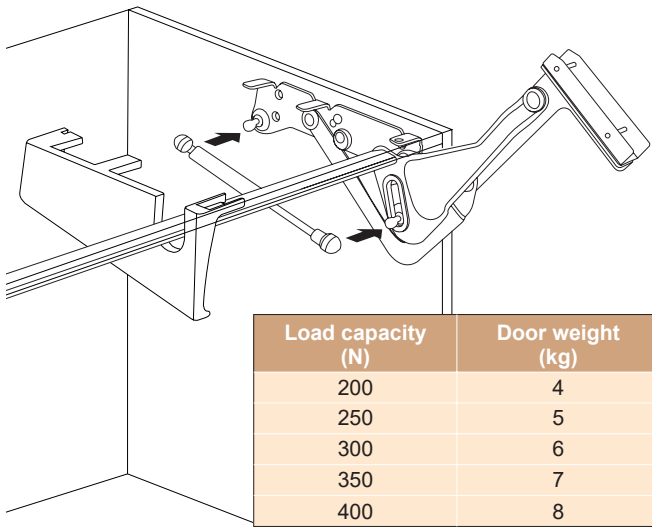


● **Basic spec**

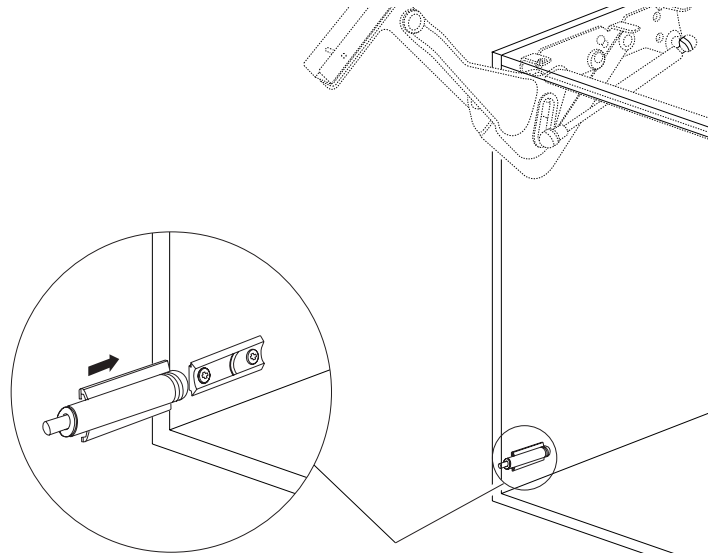
- Cabinet internal depth : Min. 225 mm
- Cabinet internal height : Min. 325 mm
- Door height : 400 - 720 mm
- Door width : 600 - 1500 mm
- Door weight : 4 - 8 kg
- Arms & brackets material : Cold-rolled steel
- Rod material : Aluminum
- Cover caps material : Plastic
- Finishing : powder coated



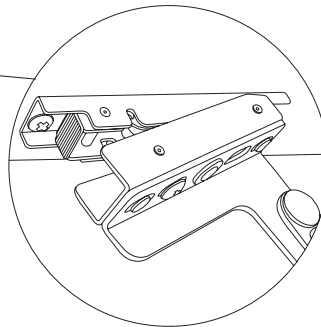
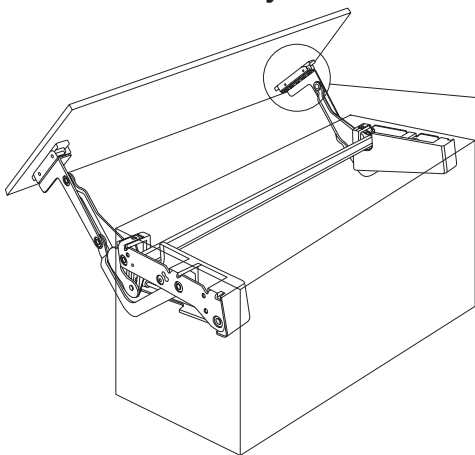
● Installation and capacity of the gas spring



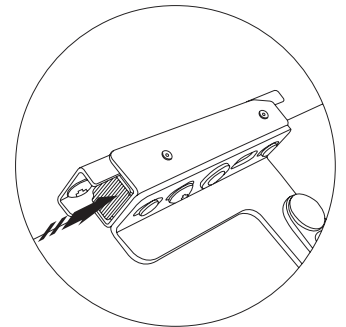
● Soft close adapter



● Cabinet door assembly



Lift the door up and assemble the mount plate with the lift fitting.



To disassemble press the clip button and lift the door.

● Cabinet door adjustment

